

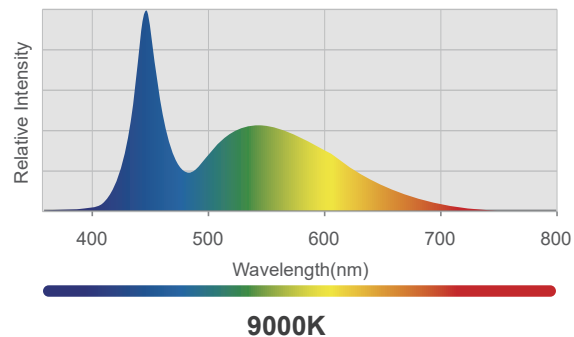
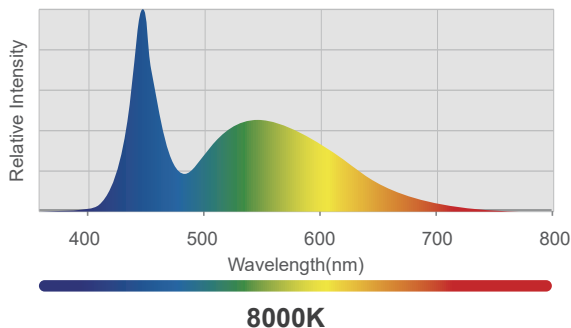
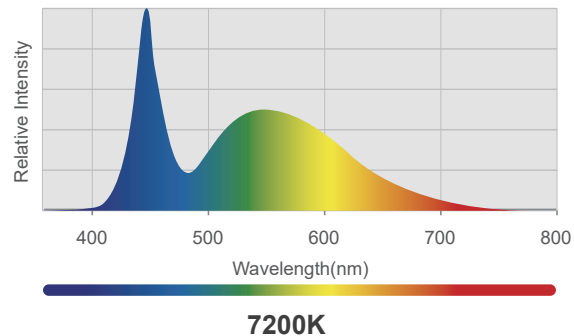
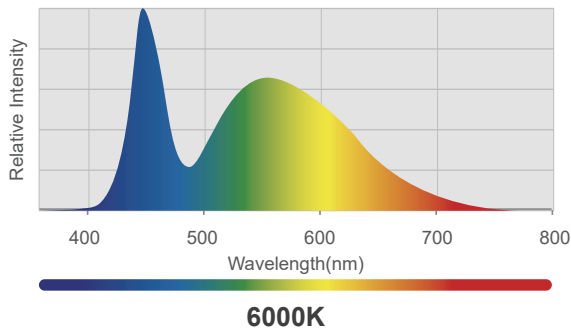
# T360 Tuna Sun LED Track Grow Light

Full Spectrum, Tunable CCT, High Yield



<b>Power Consumption</b>	85WAC Max.
<b>Input Voltage</b>	120VAC / 60Hz
<b>LED Source</b>	DiCon's Dense Matrix LED
<b>Dimensions (w/ barndoors)</b>	L 8 1/2" x W 8 13/64" x H 7 19/32" L216mm x W208 mm x H193 mm
<b>Dimensions (w/o barndoors)</b>	L 5 19/32" x W 8 13/64" x H 4 45/64" L142mm x W208 mm x H119 mm
<b>Light Body Material/Finish</b>	Plastic / Black or White
<b>Weight (w/ barndoors)</b>	2.98 lbs / 1.35 kg
<b>Weight (w/o barndoors)</b>	2.76 lbs / 1.25 kg
<b>Thermal</b>	Advanced Heat Sink Cooling
<b>Heat Value</b>	232.55 BTU/hr
<b>Acoustic Noise</b>	< 21dB
<b>Operating Temp</b>	32 - 104°F / 0 - 40°C
<b>Color Temperature</b>	6,000K - 9,000K
<b>Dimming</b>	2 - 100%
<b>Control</b>	Manual, DMX
<b>Display</b>	OLED Screen
<b>Installation</b>	EUTRAC Track
<b>Applications</b>	Living Walls, Public Aquariums, Aquaculture

## OPTICAL SPECTRUM



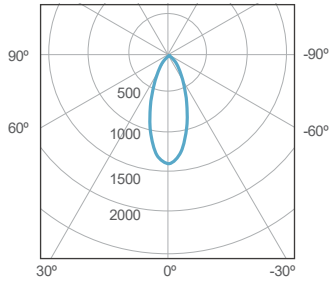
## LIGHT DISTRIBUTION IN LUX



## BEAM PROFILE

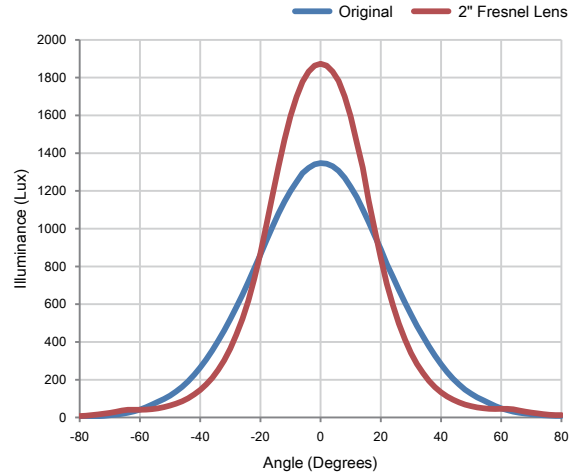
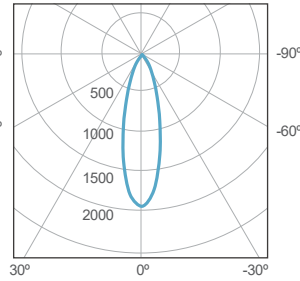
### T360 Original

Beam Angle  $\phi$ : 51.4°



### T360 2" Fresnel Lens

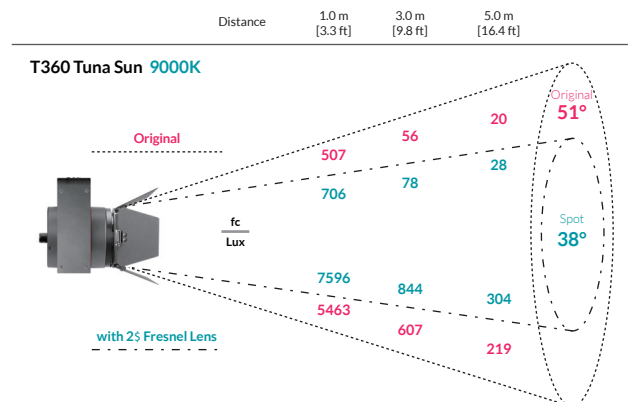
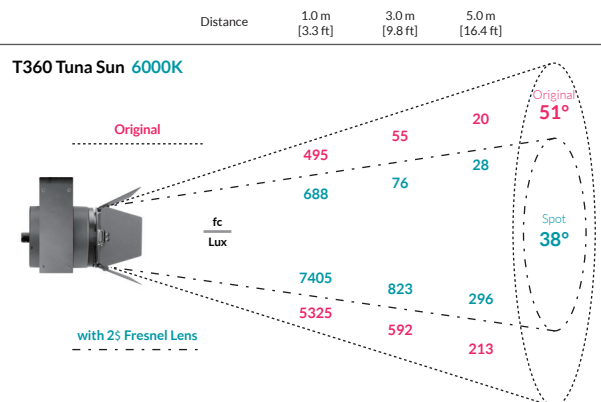
Beam Angle  $\phi$ : 37.9°



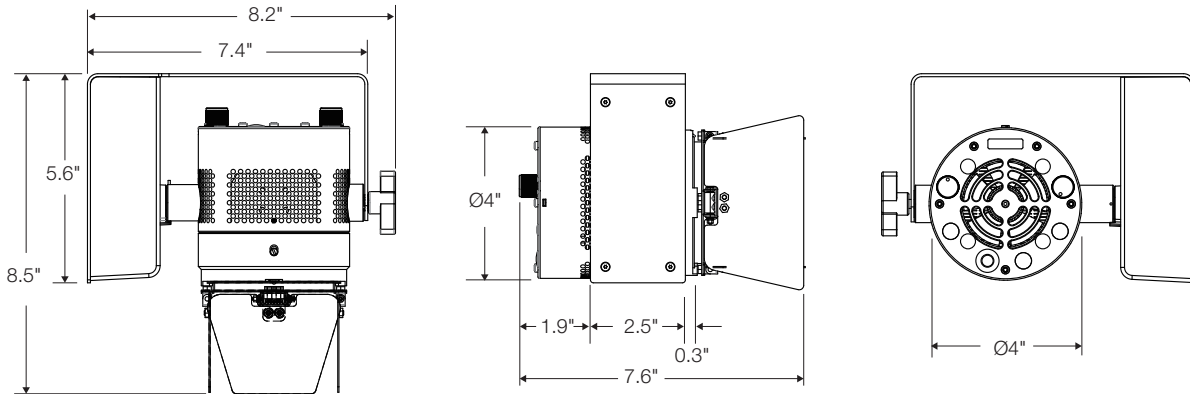
## ILLUMINATION TABLE

Tuna Sun	Status	Beam Angle	meter ft.	1 3.3	2 6.6	3 9.8	5 16.4	7 23.0
6000K	T360 (Original)	51°	Center Foot Candles (fc) [ Center Lux ]	495 [5325]	124 [1331]	55 [592]	20 [213]	10 [910]
	T360 (2" Fresnel Lens)	38°		688 [7405]	172 [1851]	76 [823]	28 [296]	14 [151]
9000K	T360 (Original)	51°		507 [5463]	127 [1366]	56 [607]	20 [219]	10 [111]
	T360 (2" Fresnel Lens)	38°		706 [7596]	176 [1899]	78 [844]	28 [304]	14 [155]

## ILLUMINATION CHART



## MECHANICAL DIMENSIONS



## BEAM ANGLE & CENTER LUX COMPARISON

Product	Beam Angle	Field Angle	Center Lux Ratio
T360 <b>Original</b>	51.4°	97.4°	100%
T360 <b>2" Fresnel Lens</b>	37.9°	73.7°	139%

## OPTIONAL ACCESSORIES



2" Fresnel Lens



Snoot



Dome Diffuser

## ORDERING GUIDE

**T360**

-

**TS**

-

**US-120VAC**

Model

T360 85W Standard

Spectrum

TS Tuna Sun

Finish

**BK** Black  
**WH** White

Plug Type / Voltage

US-120VAC

Example: T360-TS-BK-US-120VAC